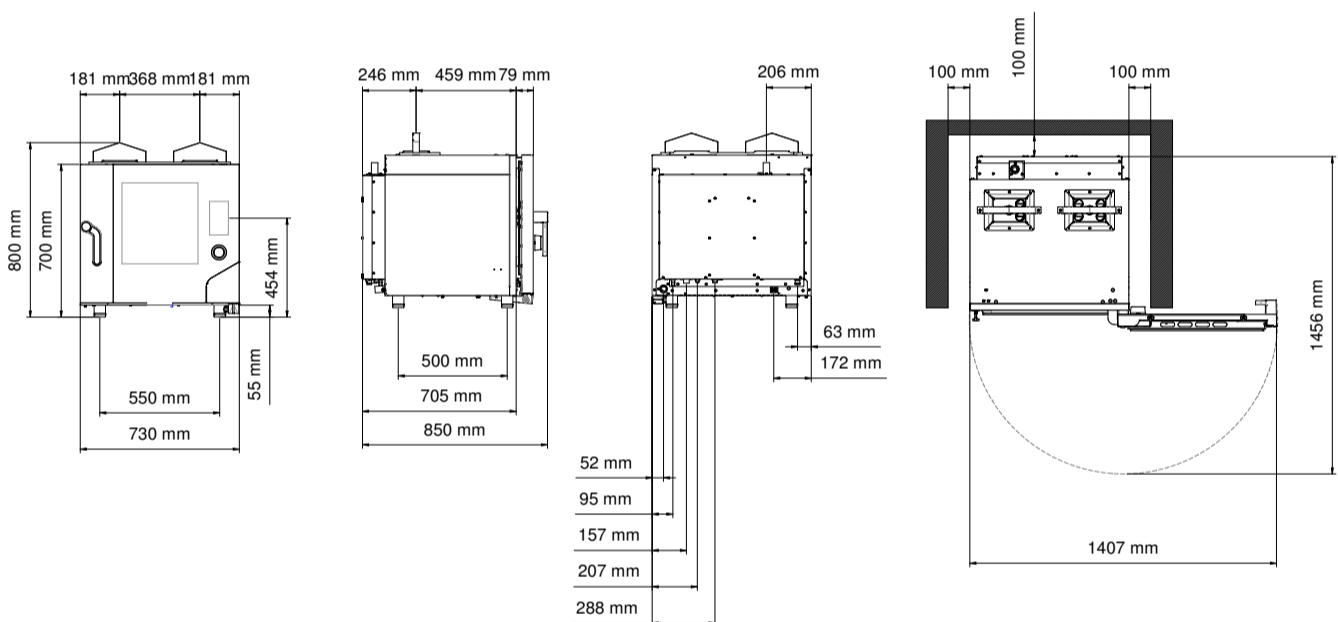


CHF511TOP-GAS



Gas combi oven 5 trays 1/1 GN with touch screen

5 GN1/1 trays with a new touch screen interface: high performance to obtain the best results in the kitchen with excellent, even cooking and fast times with consequent reduction in energy consumption. The new Millennial oven allows complete management of the features. An oven that can be connected to the internet through a Wi-Fi connection to update the firmware, cookbooks, and technical documentation and manuals in the oven. Millennial, the perfect oven to always stay connected!



Dimensional features

| | |
|----------------------------------|-----------------|
| Dimensions (WxDxH mm) | 730 x 850 x 800 |
| Weight (kg) | 89 |
| Distance between rack rails (mm) | 68 |

Electrical features

| | |
|--------------------------|-----------------|
| Thermal supply (kW) | 9 |
| Frequency (Hz) | 50/60 |
| Voltage (V) | AC 220/230 |
| N° motors | 1 bidirectional |
| Boiler (kW) | / |
| Protection against water | IPX3 |

Functional features

| | |
|----------------------------|--|
| Power | Multigas (tested for natural gas) |
| Capacity | N° 5 trays/grids 1/1 GN |
| Type of cooking | Semistatic + ventilated |
| Steam | Direct steam controlled by touch screen (10 levels) |
| Cooking chamber | AISI 304 stainless steel |
| Temperature | 30 - 260 °C |
| Temperature control | Digital probe thermometer |
| Control panel | Touch screen |
| N° programs | 500 |
| Programmable cooking steps | 10 |
| Pre-heating temperature | 180 °C |
| Pre-heating function | Programmable |
| Door | Right side opening Ventilated Inspectionable glass |
| Feet | Adjustable |

Equipment

| | |
|---|---------------------------------|
| Cardboard box dimensions with pallet (WxDxH mm) | 790 x 905 x 870 mm |
| Lateral supports | 1dx + 1sx |
| Cable | Single-Phase [3G 1,5]-L=1600 mm |
| USB port | |
| Multipoint core probe cod. CHSC3P | |
| Support for core probe | |
| Automatic washing system integrated | |
| Condensate collection bowl, with drain on door | |
| Hinge with door locking for openings adjusted at 60°, 90°, 120°, 180° | |
| Nozzle for LPG | |

Plus

| | |
|--|------------------------|
| Patented fan guard system Airflowlogic™ | |
| Patented system for direct steam Humilogic™ | |
| Patented system for cooking chamber drying Drylogic™ | |
| Available on request at the order | Left side opening door |
| Humidity management software | |
| Wi-Fi communication system | |
| Knob for quick selection of the touch screen | |
| Programmable oven start | |
| N° 40 recipes stored | |
| Control panel in 42 languages: Arabic, Armenian, Azerbaijani, Bahasa (Indonesia), Bahasa (Malaysia), Bosnian, Bulgarian, Chinese, Croatian, Czech, Danish, Dutch, English, Estonian, Finnish, French, Georgian, German, Greek, Hungarian, Icelandic, Italian, Japanese, Kazakh, Latvian, Lithuanian, Norwegian, Persian (Iran), Philippine, Polish, Portuguese, Romanian, Russian, Serbian, Slovenian, South Korean, Spanish, Swedish, Thai, Turkish, Ukrainian, Vietnamese | |
| HACCP system | |
| Adjustable door hinges | |
| Regulation 2016/426/UE | |